

Features

Arrow Shaped LED display
High segment intensity
Range of colours
Multiplexing capability
ROHS Compliant

Options

Black or Grey face colour
Colored segments
Copper terminal pins
Long terminal pins
Low current version



Electro Optical Characteristics $I_F = 20\text{mA}$ ($T_A = 25^\circ\text{C}$)

Part Number (2 LED's per seg.)	Emitting Colour	Wavelength Peak λ_P (nm)	Forward voltage V_F (V)	
			Typical	Max
100ARRA1 SB	Superbright Blue	460	5.8	6.4
100ARRA1 UB	Ultrabright Blue	460	5.8	6.4
100ARRA1 SG	Superbright Pure Green	530	6.0	6.8
100ARRA1 UG	Ultrabright Pure Green	530	6.0	3.4
100ARRA1 UYG	Superbright Yellow Green	560	4.0	4.4
100ARRA1 UOR	Ultrabright Amber	610	3.8	4.4
100ARRA1 UY	Ultrabright Yellow	590	3.8	4.2
100ARRA1 SR	Superbright Red	650	3.8	4.2
100ARRA1 UR	Ultrabright Red	660	3.8	4.2

Absolute Maximum Ratings $T_a=25^\circ\text{C}$

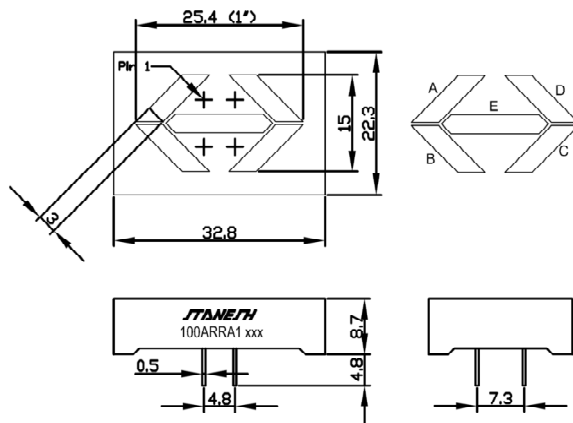
Characteristic	Symbol	Rating	Unit
DC forward current	I_F	20	mA
Reverse Voltage	V_R	10	V
Operating Temperature	T_{opr}	-25 to +80	$^\circ\text{C}$
Storage Temperature	T_{stg}	-30 to +85	$^\circ\text{C}$
Lead Soldering Temperature ¹	-	260	$^\circ\text{C}$

¹ 1.6mm from body – max 3 seconds

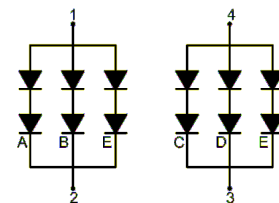
Product Diagram (All dimensions are in mm)

100ARRA1 xxx

1" Arrow



100ARRA1 xxx



*Specifications may change due to new materials or product improvement